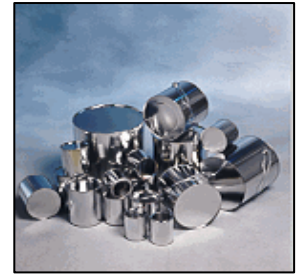




# Compacting steel and tin cans

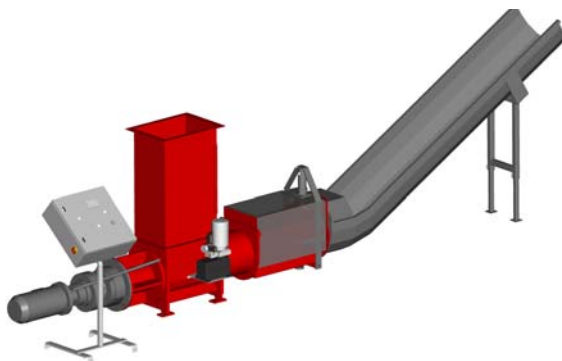
Compacted material weighs up to 1900 kg/m<sup>3</sup>  
 Maximum diameter of cans: 230mm.



## SK370

- Earn the full value of this valuable recyclable material by utilizing the max payload on the trucks
- Save space, time and money on internal handling of empty cans
- Increase the value of the scrap metal by compacting the material

Production Data	Europe	USA
Capacity per hour (3 liter cans)	App. 3000 cans	App. 3500 cans
Density achieved	App. 1900 kg/m <sup>3</sup>	App. 118 lbs/ft <sup>3</sup>
Energy consumption	Europe	USA
Main motor	15 kW	24 HP (18 kW)
Hydraulic pump	0,55 kW	0.88 HP (0.66 kW)
Electrical requirements	Europe	USA
3 phase 400V; 50 Hz	63 AMPS	
3 phase 480V; 60 Hz		63 AMPS
3 phase 230V; 60 Hz		80 AMPS
Dimensions : 09-2107	Europe	USA
Length	7,00 m	23 ft
Width	1,35 m	4 ft 4 inch
Height	2,37 m	7 ft 8 inch
Weight	App. 1500 kg	App. 3300 lbs



09-2107  
 SK370 for steel or tin cans. The compacted material is dropped into a small tip container which is loaded into a skip for haulage.

See RUNI DVD for description of how this compactor has saved one operators work.